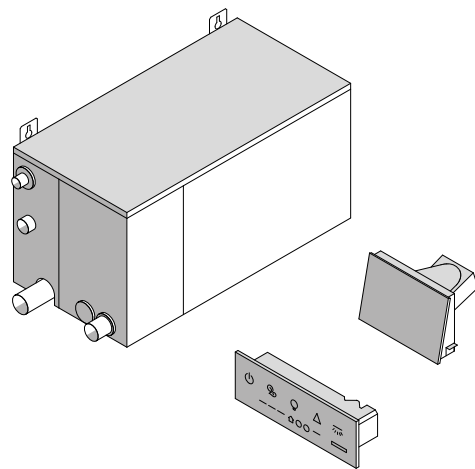


NUVOLA SMART POWER 25 - 30 - 45



NUVOLA SMART POWER 25

Space volume (cubic metres): 0 - 2,5
Power: 2,5 kW max - 230Vac 1N 50-60Hz - 400Vac 3N 50-60Hz
Steam generation: 3,7 Kg/h max

Control panel mounting box CH 90 00 0182

Steam diffuser counterbox CH 90 00 0187

Nuvola Smart Power 25 HA 50 52 0001

Total Price

[Technical card download](#)

NUVOLA SMART POWER 30

Space volume (cubic metres): 2,5 - 3,5
Power: 3 kW max - 230Vac 1N 50-60Hz - 400Vac 3N 50-60Hz
Steam generation: 4,4 Kg/h max

Control panel mounting box CH 90 00 0182

Steam diffuser counterbox CH 90 00 0187

Nuvola Smart Power 30 HA 50 52 0002

Total Price

[Technical card download](#)

NUVOLA SMART POWER 45

Space volume (cubic metres): 3,5 - 4,5
Power: 4,5 kW max - 230Vac 1N 50-60Hz - 400Vac 3N 50-60Hz
Steam generation: 6,6 Kg/h max

Control panel mounting box CH 90 00 0182

Steam diffuser counterbox CH 90 00 0187

Nuvola Smart Power 45 HA 50 52 0003

Total Price

[Technical card download](#)

STEAM GENERATOR DIMENSIONS

cm 52 x 26 x 27 h

CONTROL PANEL DIMENSIONS

Mounting box : cm 19 x 8 x 4,3 h

Control Panel : cm 18 x 6 h

STEAM DIFFUSER DIMENSIONS

Mounting box : cm 18 x 10 x 15,2 h

Diffuser : cm 18,2 x 4,5 x 12,3 h

STEAM GENERATOR

Features:

- › **RWF** Regulating water flow - Can work on a wide range of water systems with different pressures
- › **SWF** Smart Water Filling - Optimised management of boiler filling
- › **SBC** Smart Boiler Cleaning - Dilution and intermediate rinsing processes not time controlled but based on real need
- › **SEC** Smart Energy Control - Evenly spaced on/off periods for the heating elements
- › **ODS** Open Door Sensor - Open Door Sensor
- › **ECC** - Effegibi Comfort Control - This system is incorporated into every Effegibi steam generator so that the turkish bath can be remotely controlled, just download the app Effegibi experience to your tablet or smartphone. Available on iOS.
- › Diverter carrying water to the outlet

STEAM DIFFUSER

Features:

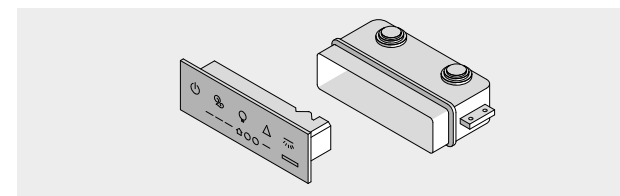
- Adjustable flaps to control the outgoing steam direction
- Cubicle air-recirculation system built into the water-resistant fan
- Essential oils container
- Steam output led light
- Additional temperature probe inside the diffuser

TOUCH-SCREEN CONTROL PANEL

with backlit icons and temperature gauge

Options

NOTE: NUVOLA SMART POWER 25 - 30 - 45 CAN POWER UP TO 2 OPTIONAL CEILING LIGHT FITTINGS OF YOUR CHOICE FROM THE ESS - EFFEGIBI SOUND SYSTEM, COLOUR THERAPY AND WHITE LIGHT.



Remote touch-screen control panel

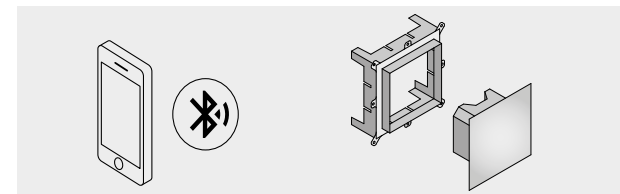
Control panel dimensions: cm 18 x 6

Mounting box dimensions: cm 19 x 8 x 4,3 h

Counterbox CH 90 00 0182

Remote touch-screen control panel ME 60 00 0042

Total Price



ESS - Effegibi Sound System Kit with colour therapy, white light and Bluetooth speakers

Light fixture dimensions: cm 20 x 20 x 2

Mounting box dimensions: cm 20,5 x 20,5 x 10,6 h

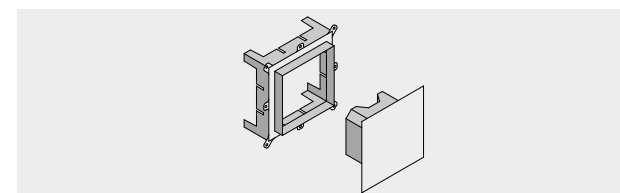
IP X5 class - Built-in loudspeakers, each 2W - 8 Ohm

[More information](#)

Counterbox CH 90 00 0174

ESS kit with ceiling light fitting HA 70 10 0008

Total Price



White light fixture

Light fixture dimensions: cm 20 x 20 x 2

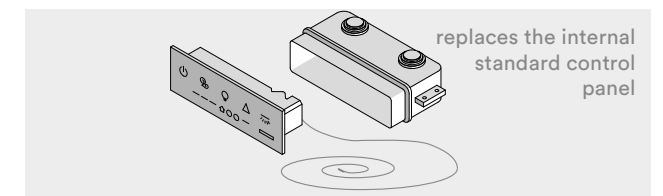
Mounting box dimensions: cm 20,5 x 20,5 x 10,6 h

IP X5 class

Counterbox CH 90 00 0174

White light fixture HA 70 00 0009

Total Price



Remote control panel with remote temperature probe

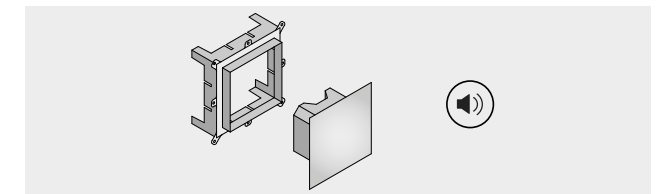
Control panel dimensions: cm 18 x 6

Mounting box dimensions: cm 19 x 8 x 4,3 h

Counterbox CH 90 00 0182

Remote touch-screen control panel ME 60 00 0049

Total Price



Ceiling light fixture with colour therapy, white light and passive loudspeakers

Light fixture dimensions: cm 20 x 20 x 2

Mounting box dimensions: cm 20,5 x 20,5 x 10,6 h

IP X5 class - Built-in loudspeakers, each 2W - 8 Ohm

[More information](#)

Counterbox CH 90 00 0174

Colour therapy and loudspeakers HA 70 10 0005

Total Price



Multifunctional Home-Automation Device

Device for managing such additional functions as fan, extractor or essential oils pump.

Enables the product to be connected to and integrated with home-automation systems.

Cod. ME 99 00 0334